

MORE CAPACITY FOR MULTIPLE OUTLETS



Now available in a large 32L/min capacity

With its large capacity, high flow heat exchanger, the Dux Always Hot 32L really delivers, even for larger hot water loads.



MORE HOT WATER FOR WHEN YOU NEED IT

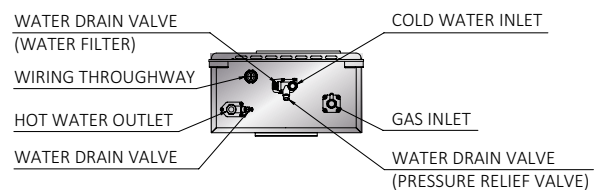
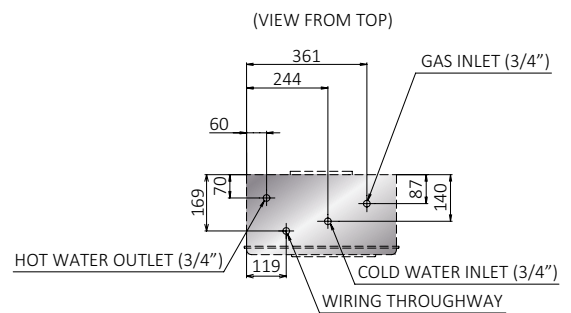
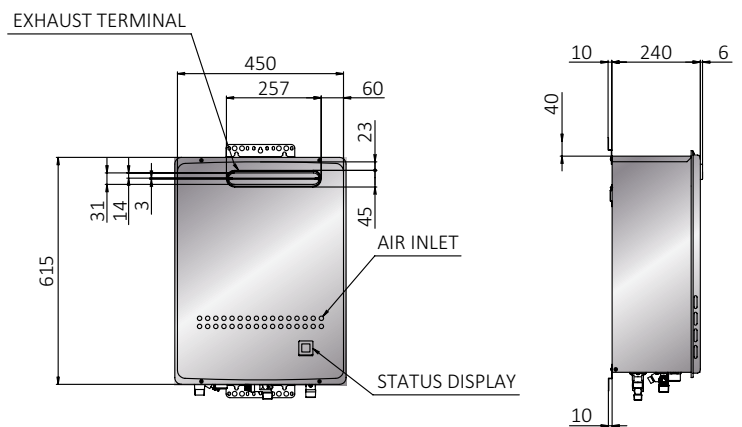
The Dux Always Hot range has expanded to include a 32L/min continuous flow model. Boasting a high flow heat exchanger, it's designed to provide hot water that never runs out and the ability to service multiple outlets, all at the same time.

The 32L/min features a 5.8 star efficiency rating and is available in both natural gas & LPG models. There is a choice of temperature locked 50°C models, or up to 75°C maximum temperature settings on untempered models.

Superior technology straight from Noritz, a leading Japanese manufacturer of continuous flow water heaters, the new 32L/min model delivers high performance and lasting durability in a compact package. It's backed by a 12 year heat exchanger warranty including 3 years parts and labour*.



NON CONDENSING MODEL SPECIFICATION		
Model Number - up to 50°C	32END5N	32END5L
Model Number - up to 75°C	32END6N	32END6L
Gas Type	NG	LPG
Flow rate (L/min @ 25°C rise)	32	
Installation	Outdoor, Wall Mounted	
Min. Operating Flow Rate (L/min)	2.0	
Gas Consumption MJ/h - NG	250	
Gas Consumption MJ/h - LPG	250	
Star Rating	5.8	
Weight (kg)	30	
Max Water Supply Pressure (kPa)	1000	
Min Water Supply Pressure (kPa)	200	
Cold Water Connection (mm)	20mm 3/4"	
Hot Water Connection (mm)	20mm 3/4"	
Gas Connection (mm)	20mm 3/4"	



32L ACCESSORIES TABLE	PART NUMBER
Pipe Cover	CF-H32-K450
Recess Box	RBM5
Flue Diverter (Upward)	CFC28
Flue Diverter (Horizontal)	CF-L7
CONTROLLER ACCESSORIES: STANDARD INSTALLATION Not connected to recirculation or with a quick connect cable	
Residential Main Temperature Controller	CM1D
Bathroom 1 Temperature Controller	CB1D
Bathroom 2 Temperature Controller	CB2D
CONTROLLER ACCESSORIES: When connected to recirculation, or using a quick connect cable	
Remote Controller	CF-KRC-9018C
Bathroom 2 Temperature Controller	CB2D
Quick Connect Cord (2M) - Must be used in conjunction with CF-KRC-9018C	CF-0706377

*Warranty terms and conditions are in the Owner's Manual. A 12 year heat exchanger and 3 years parts and labour warranty applies for single family dwellings (without recirculation). A 5 year heat exchanger and 3 years parts and labour warranty applies for single family dwellings fitted with recirculation and on a timer. All other applications receive a 12 month warranty.

The information supplied was correct at time of printing. Specification and materials may change without notice. 0320

